

AXOR Edge
Single lever bidet mixer with push-open waste set
 Finish: **Chrome** Article Number: **46210000**



product features

- consists of: single lever bidet mixer, waste set
- projection: 149 mm
- spout height: 99 mm
- aerator with ball pivot
- spray type: normal spray
- maximum flow rate at 3 bar: 7 l/min
- ceramic cartridge
- temperature limitation adjustable
- suitable for continuous flow water heaters
- push-open waste set G 1¼
- material waste set: metal
- connection type: G ¾ connections
- connection dimension: DN15

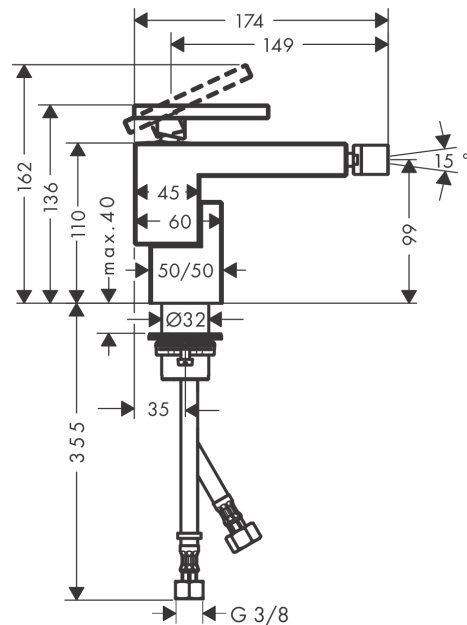
Technology



Product image



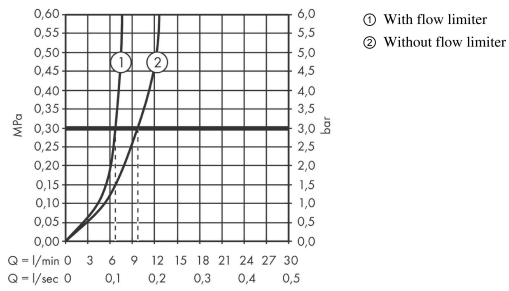
Scale drawing



AXOR Edge
Single lever bidet mixer with push-open waste set
 Finish: **Chrome** Article Number: **46210000**



Flowchart

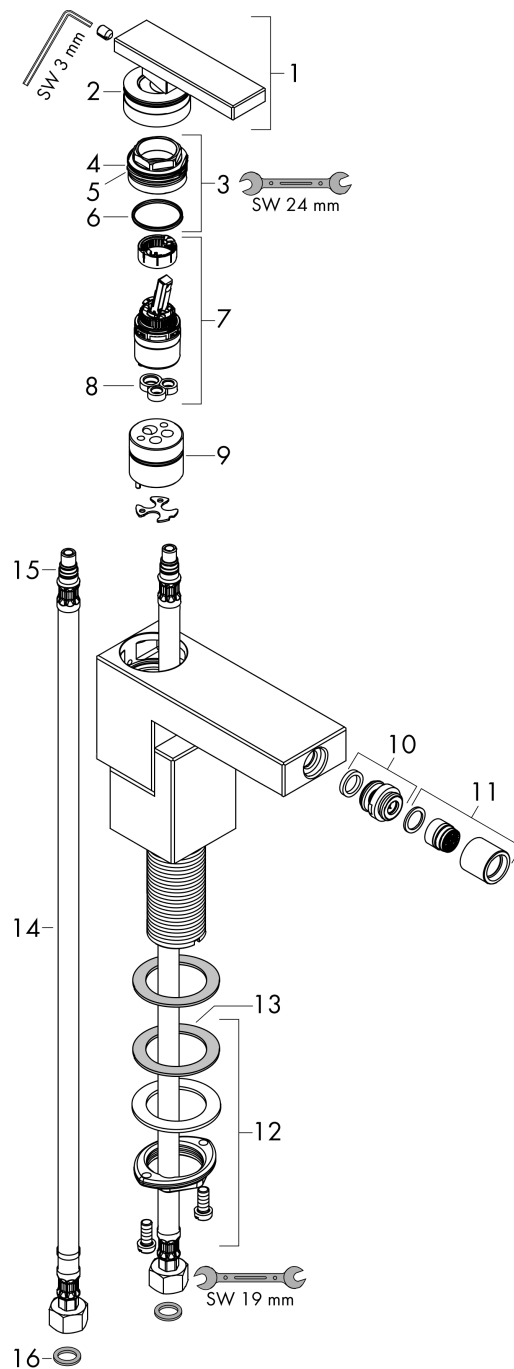


AXOR Edge
Single lever bidet mixer with push-open waste set
 Finish: **Chrome** Article Number: **46210000**



Exploded Drawing

Year of production: >04/19



AXOR Edge
Single lever bidet mixer with push-open waste set
 Finish: **Chrome** Article Number: **46210000**



Spare part list

Year of production: >04/19

Pos.		Article Number	PC	PU
1	handle	93422000	18	1
2	O-ring 33x1,5	98164000	1	1
3	nut	92926000	5	1
4	O-ring 25x1,5	98146000	1	1
5	O-ring 30x1,5	98433000	1	1
6	O-ring 29x2	98391000	1	1
7	cartridge, assy	92900000	10	1
8	seal	93383000	4	1
9	O-ring 26x2	98147000	1	1
10	ball joint	97362000	9	1
11	aerator M18x1 (4,5 l/min)	93425000	9	1
12	fixing set (Ø 32)	13961000	7	1
13	lever collar	97548000	1	1
14	connection hose 450 mm M8x0,75 G3/8	97206000	8	1
15	O-ring 7x1,5	98422000	1	1
16	sealing set	95581000	2	1
a	push-open waste set	51300000	99	1
b	fixation extension 35 mm	13898000	12	1