

AXOR Citterio E

Shower set 0.90 m with hand shower 120 3jet

Finish: **Brushed Black Chrome** Article Number: **36735340**



product features

- consists of: hand shower, shower bar, shower hose, slider
- shower head size: 120 mm
- spray type: Rain, RainAir, WhirlAir
- convenient spray selection via Select button
- maximum flow rate at 3 bar: 15 l/min
- minimum flow pressure: 1 bar
- operating pressure: min. 1 bar/max. 6 bar
- wall mounting: screw fastening
- wall supports of metal
- bar width: 30 mm
- drilling distance 915 mm
- pivot connector prevents hose from tangling

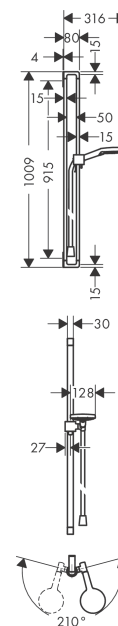
Technology



Product image



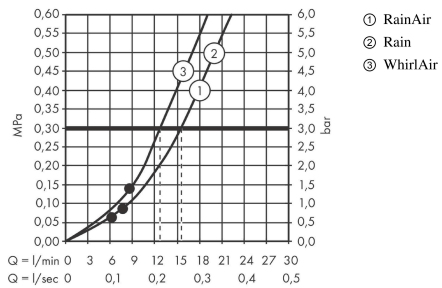
Scale drawing



AXOR Citterio E
Shower set 0.90 m with hand shower 120 3jet
 Finish: **Brushed Black Chrome** Article Number: **36735340**



Flowchart

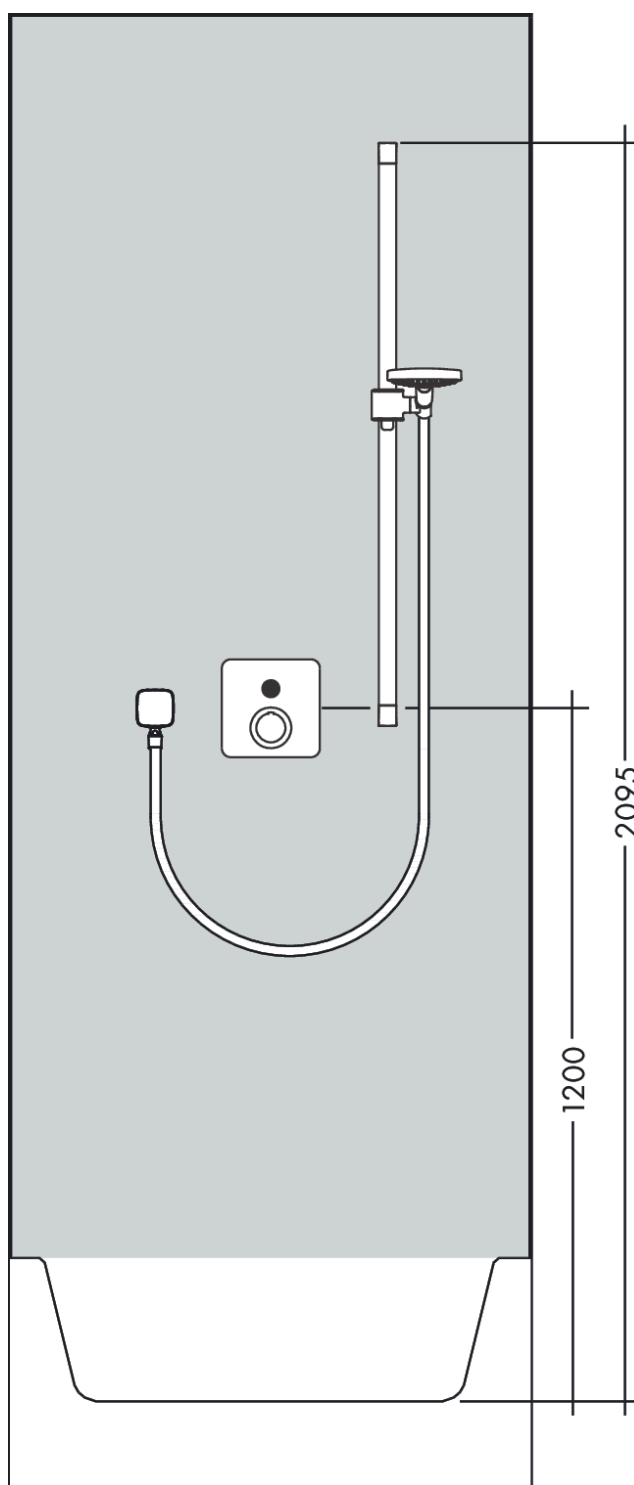


The consumption was measured in combination with the appropriate fittings (thermostat/mixer/in-wall valve) to reflect actual application in practice.

AXOR Citterio E
Shower set 0.90 m with hand shower 120 3jet
Finish: **Brushed Black Chrome** Article Number: **36735340**



Installation examples

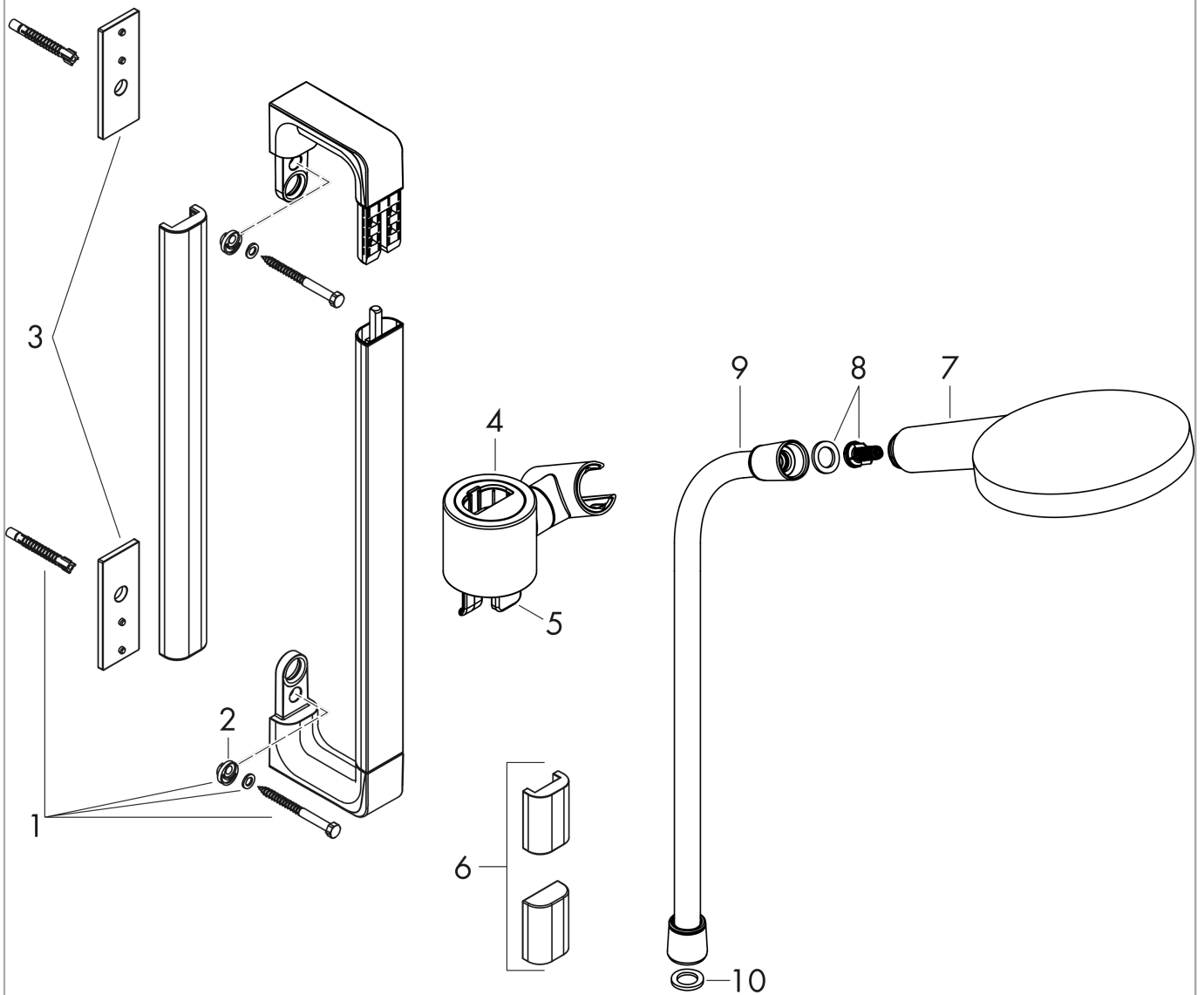


AXOR Citterio E
Shower set 0.90 m with hand shower 120 3jet
Finish: **Brushed Black Chrome** Article Number: **36735340**



Exploded Drawing

Year of production: >11/16



AXOR Citterio E
Shower set 0.90 m with hand shower 120 3jet
 Finish: **Brushed Black Chrome** Article Number: **36735340**



Spare part list

Year of production: >11/16

Pos.		Article Number	PC	PU
1	mounting set	92841000	3	1
2	excentric socket	97604000	3	1
3	tile-matching-disk 7 mm	92406340	58	1
4	support, assy	92726340	68	1
5	brake block	93442000	9	1
6	set of covers	42871340	99	1
7	handshower	26050340	99	1
8	filter insert	97708000	2	1
9	shower hose 1,60 m	28626340	99	1
10	seal	98058000	1	1