

**AXOR ShowerSolutions**  
**Shut-off valve 120/120 for concealed installation square**  
 Finish: **Chrome** Article Number: **10972000**



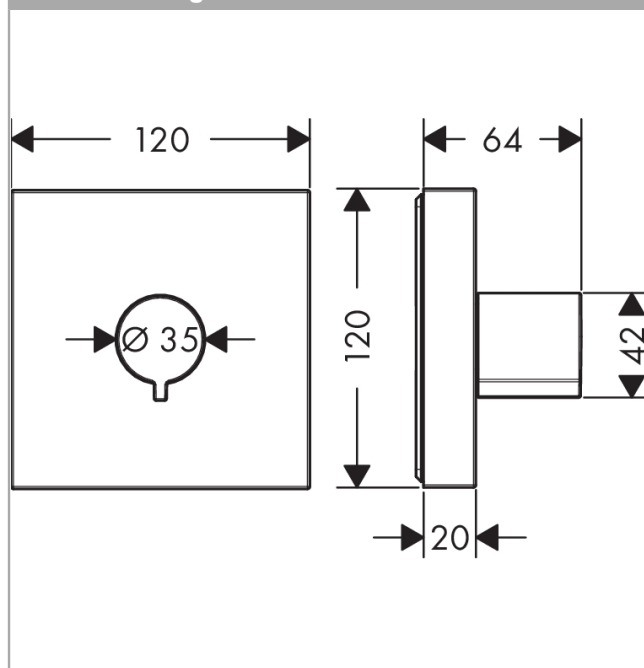
### product features

- connection type: DN15/DN20
- in a joined installation (10 mm distance) with no.10755000, no.10751000, no.10651000, no.28491000, no.40872000 or no.40873000 the use of basic set no.10971180 is recommended
- in a freely arranged installation, basic sets no.16973180, no.16974180 or no.16970180 can also be used

### Product image



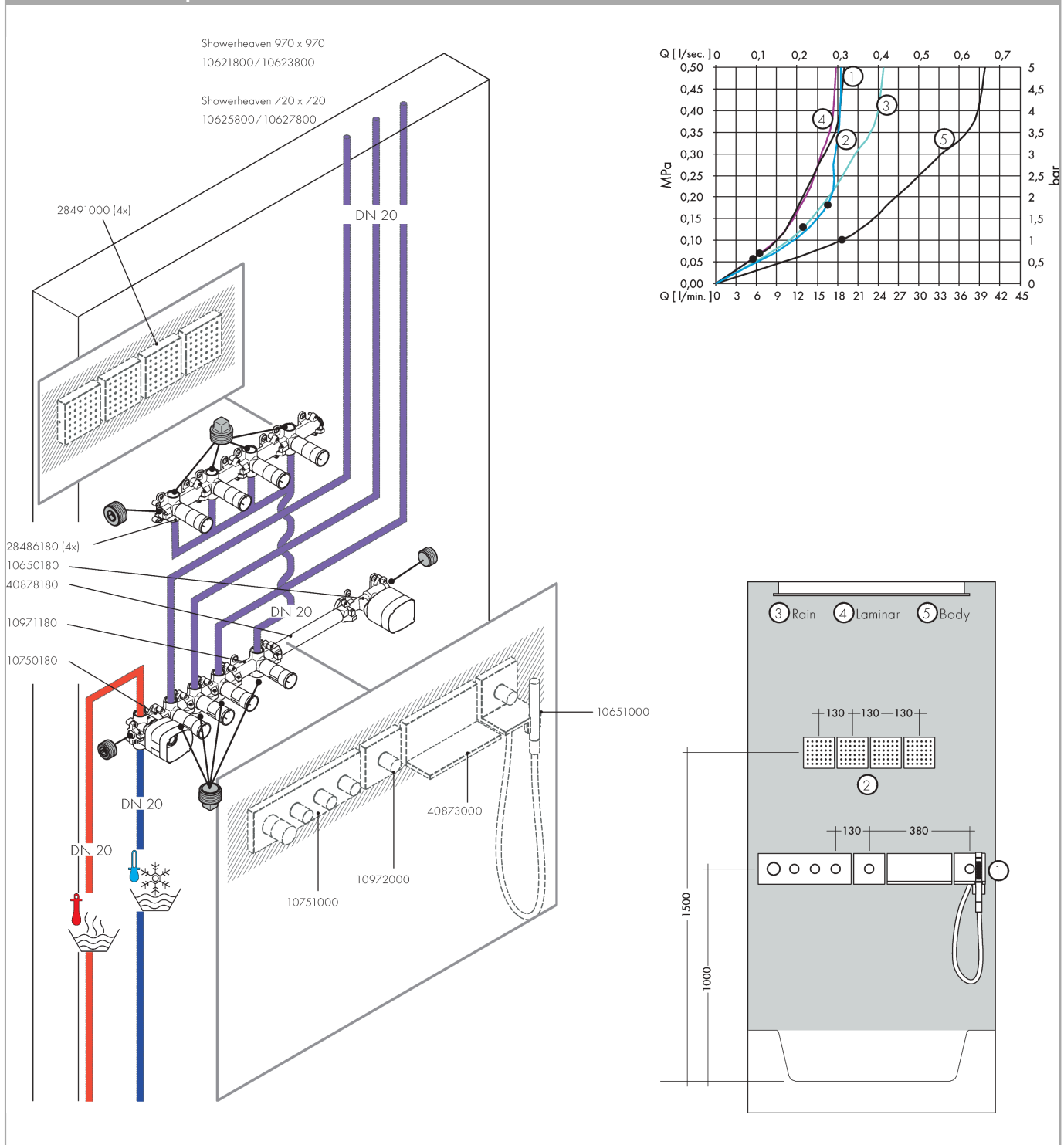
### Scale drawing



**AXOR ShowerSolutions**  
**Shut-off valve 120/120 for concealed installation square**  
 Finish: **Chrome** Article Number: **10972000**



**Installation examples**

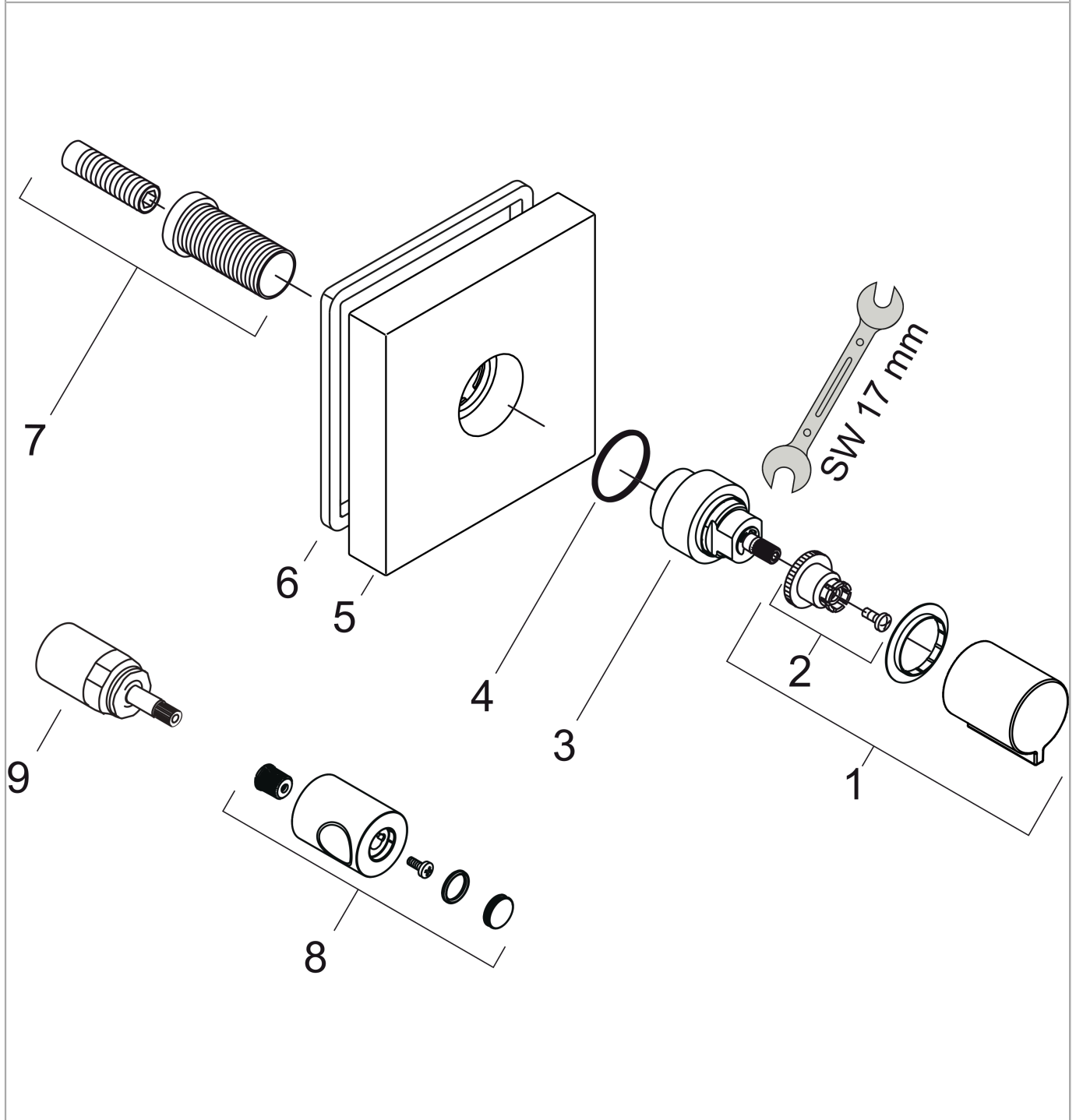


**AXOR ShowerSolutions**  
**Shut-off valve 120/120 for concealed installation square**  
Finish: **Chrome** Article Number: **10972000**



## Exploded Drawing

Year of production: >02/14



**AXOR ShowerSolutions**  
**Shut-off valve 120/120 for concealed installation square**  
 Finish: **Chrome** Article Number: **10972000**



## Spare part list

Year of production: >02/14

Pos.		Article Number	PC	PU
1	handle	92338000	11	1
2	handle fixing set	94184000	2	1
3	adapter for handle	95153000	12	1
4	O-ring 26x2	98147000	1	1
5	escutcheon	95358000	16	1
6	seal	97737000	3	1
7	fixing set	96393000	8	1
8	handle	95423000	13	1
9	extension 25 mm	96370000	99	1
a	concealed item	10971180	99	1
b	concealed items 1/2"	15973180	99	1
c	concealed items 1/2"	15974180	99	1
d	concealed items DN20 (3/4")	15970180	99	1